



GRP Open Mesh Grating

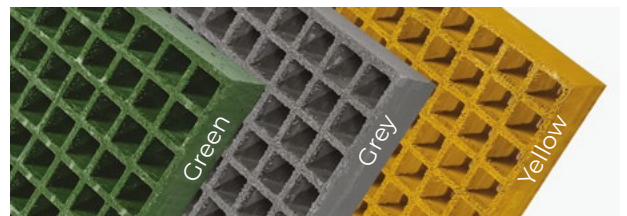
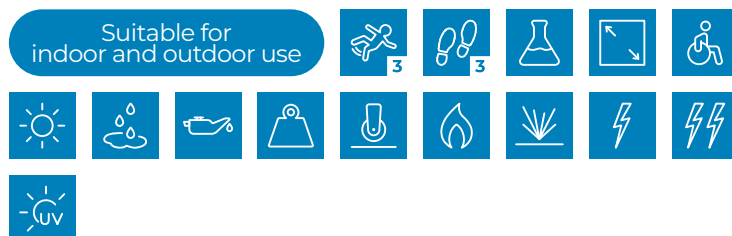
Our GRP Grating is a specially designed and moulded non-slip composite floor solution, constructed from the highest quality fibreglass making it lightweight and also chemical, rust, and corrosion resistant whilst offering longevity and durability. With limited tooling and installation costs, we can offer a vast range of standard length and width sizes, plus our in-house cutting service means we can offer bespoke sizes for that perfect fit.

Available in 25mm, 38mm and 50mm thickness and an array of colours.

Optional clips, bolts and clamps are available to purchase if required.

Features

- ◆ **Typical applications:** Suitable for service riser decks, maintenance platforms, and access walkways, when designed in accordance with BS EN ISO 14122:2016, along with pontoons, flooring, ramps, and covers across industrial, construction, chemical, marine, and offshore environments.
- ◆ **Material:** GRP - Glass reinforced polyester with a resin coated gritted surface.
- ◆ **Cleaning:** Use of a stiff brush will normally be sufficient to remove everyday dirt and debris, and for more stubborn dirt a mild detergent with warm water is often effective. A pressure washer on a low pressure setting can be used to clean the GRP.
- ◆ **Sustainability:** REACH compliant.



For more information about this product or, to place an order [click here](#)

| Code | Size | Thickness | Weight | Colour |
|-------------|----------------|-----------|--------|--------|
| GR3939-25GN | 996mm x 996mm | 25mm | 12.5kg | Green |
| GR3939-25GY | 996mm x 996mm | 25mm | 12.5kg | Grey |
| GR3939-25YL | 996mm x 996mm | 25mm | 12.5kg | Yellow |
| GR3960-25GN | 1492mm x 996mm | 25mm | 18kg | Green |
| GR3960-25GY | 1492mm x 996mm | 25mm | 18kg | Grey |
| GR3960-25YL | 1492mm x 996mm | 25mm | 18kg | Yellow |

Our delivery promise

We guarantee your order will be shipped on time, every time.
That's the Blue Diamond difference.

V13.01.26

Get in touch

+44 (0) 1779 841 899
sales@bluediamond.uk.com
www.bluediamond.uk.com

GRP Open Mesh Grating

| Code | Size | Thickness | Weight | Colour |
|-------------|-----------------|-----------|--------|--------|
| GR3979-25GN | 1985mm x 996mm | 25mm | 25kg | Green |
| GR3979-25GY | 1985mm x 996mm | 25mm | 25kg | Grey |
| GR3979-25YL | 1985mm x 996mm | 25mm | 25kg | Yellow |
| GR3910-25GN | 3010mm x 996mm | 25mm | 37kg | Green |
| GR3910-25GY | 3010mm x 996mm | 25mm | 37kg | Grey |
| GR3910-25YL | 3010mm x 996mm | 25mm | 37kg | Yellow |
| GR4812-25GN | 3660mm x 1220mm | 25mm | 55kg | Green |
| GR4812-25GY | 3660mm x 1220mm | 25mm | 55kg | Grey |
| GR4812-25YL | 3660mm x 1220mm | 25mm | 55kg | Yellow |
| GR3939-38GN | 996mm x 996mm | 38mm | 38kg | Green |
| GR3939-38GY | 996mm x 996mm | 38mm | 38kg | Grey |
| GR3939-38YL | 996mm x 996mm | 38mm | 38kg | Yellow |
| GR3960-38GN | 1492mm x 996mm | 38mm | 29kg | Green |
| GR3960-38GY | 1492mm x 996mm | 38mm | 29kg | Grey |
| GR3960-38YL | 1492mm x 996mm | 38mm | 29kg | Yellow |
| GR3979-38GN | 1985mm x 996mm | 38mm | 40kg | Green |
| GR3979-38GY | 1985mm x 996mm | 38mm | 40kg | Grey |
| GR3979-38YL | 1985mm x 996mm | 38mm | 40kg | Yellow |
| GR3910-38GN | 3010mm x 996mm | 38mm | 58.5kg | Green |
| GR3910-38GY | 3010mm x 996mm | 38mm | 58.5kg | Grey |
| GR3910-38YL | 3010mm x 996mm | 38mm | 58.5kg | Yellow |
| GR4812-38GN | 3660mm x 1220mm | 38mm | 87kg | Green |
| GR4812-38GY | 3660mm x 1220mm | 38mm | 87kg | Grey |
| GR4812-38YL | 3660mm x 1220mm | 38mm | 87kg | Yellow |
| GR4812-50GN | 3665mm x 1225mm | 50mm | 115kg | Green |
| GR4812-50GY | 3665mm x 1225mm | 50mm | 115kg | Grey |
| GR4812-50YL | 3665mm x 1225mm | 50mm | 115kg | Yellow |

GRP Open Mesh Grating

| Code | Size | Thickness | Weight | Colour |
|---------|---|-----------|--------|-----------------|
| CC-25SS | C Clip for 25mm Grating c/w fixing bolt | | 0.04kg | Stainless Steel |
| CC-38SS | C Clip for 38mm Grating c/w fixing bolt | | 0.06kg | Stainless Steel |
| CC-50SS | C Clip for 50mm Grating c/w fixing bolt | | 0.07kg | Stainless Steel |
| MC-25SS | M Clip for 25mm Grating | | 0.03kg | Stainless Steel |
| MC-38SS | M Clip for 38mm Grating | | 0.04kg | Stainless Steel |
| MC-50SS | M Clip for 50mm Grating | | 0.05kg | Stainless Steel |
| JC-38SS | J Clamp | | 0.07kg | Stainless Steel |
| FC45SS | Square Fixing Clip 45mm | | 0.02kg | Stainless Steel |
| FD45SS | Fixing Disc 45mm | | 0.1kg | Stainless Steel |
| M8-35SS | M8 x 34mm Bolt/Nut/Washer Set | | 0.03kg | Stainless Steel |

Please note, cutting tolerance +/- 5mm

Technical Specification

| | |
|------------------------------|---|
| Slip resistant: | Excellent slip resistance to level 3 |
| Wear resistant: | Excellent wear resistance to level 3, suitable for heavy footfall |
| Chemical resistant: | Yes |
| Cut to size: | Yes, tolerance +/- 5mm |
| Disability friendly: | Yes, the low profile makes it suitable for wheelchair users |
| Dry area: | Yes |
| Wet area: | Yes |
| Oily and greasy area: | Yes |
| Heavy area: | Yes |
| Wheeled area: | Yes |
| Environment: | Suitable for indoor and outdoor use |
| Flame retardant: | Yes |
| Impact resistant: | Yes |
| Non-conductive (Electrical): | Yes |

GRP Open Mesh Grating

Technical Specification

Non-conductive (HV Electrical): Yes

Product testing:

- ◆ Slip resistance
 - ◆ Tested to BS 7976.2 - PTV 'Extremely Low' for wet and dry conditions, PTV 'Low' for oily and greasy conditions
 - ◆ Coefficient of Friction (CoF): Dry 72; Wet 68 and Oil 63
- ◆ Fire certificate
 - ◆ EN 13501-1:2018 - Class Bfl-s1
 - ◆ ASTM-E84-2018 - Class 1
- ◆ Load standard
 - ◆ BS EN ISO 14122:2016
- ◆ UV certificate
 - ◆ UV Weather ISO 4892-2 Xenon Arc 5000hrs

Sustainability: REACH (Registration, Evaluation, Authorisation and Restrictions of Chemicals)

Temperature resistance: -50°C to +110°C

UV Resistant: Yes

GRP Open Mesh Grating

* The differences between Class 1 and Class 2

Both are classifications of the surface spread of flame test (BS 476 part 7). They refer to the degree of flame spread on an ignited panel 900mm x 230mm cut from a laminate. The panel is exposed at right angles to a radiant panel to reproduce the effect of a fire on an adjoining wall or ceiling. It is ignited at the hotter end and allowed to burn for 10 minutes. Flame spread is measured along a line 75mm from the base.

- ◆ Class 1 rating is given if the spread of flame is no greater than 165mm.
- ◆ Class 2 rating is given if the spread of flame is no greater than 215mm in the first 1½ minutes and on overall spread of no more than 455mm.
- ◆ Class 0 rating is a Building Regulations rating and not a British Standard Classification. To attain Class 0, a sample must meet Class 1 for spread of flame and also meet the fire propagation requirements of BS476 Part 6.
- ◆ The Part 6 test was introduced because investigations into the growth of building fires showed that spread of flame was not the only significant factor. Fire propagation (or the amount of heat added to a fire by the energy output of burning materials) was also an important consideration.

Pendulum Slip Testing

The pendulum slip testing was carried out on 17.02.23 and concluded that our GRP Grating achieved the highest slip resistant classification of 'Extremely Low' pedestrian slip risk for wet and dry conditions and 'Low' for oily/greasy areas.

| Pendulum Test Value (PTV) | Slip Risk |
|---------------------------|---------------|
| 0 - 24 | High |
| 25 - 35 | Moderate |
| 36 - 64 | Low |
| 65+ | Extremely Low |

| Pendulum test results | Coefficient of Friction (CoF) | | |
|-----------------------|-------------------------------|-----|-----|
| | Dry | Wet | Oil |
| Standard Grit | 72 | 68 | 63 |

GRP Open Mesh Grating

GRP Care and Maintenance

◆ Cleaning

Being a highly durable material, using a stiff brush will normally be sufficient to remove everyday dirt and debris, and for more stubborn dirt, wash with warm water and a mild detergent. A pressure washer on a low-pressure setting can also be used, however, care should be taken to ensure that this does not harm the integrity of the fixings being used, likely to be screws and/or adhesive.

We recommend always testing any cleaning method and liquids on a small inconspicuous section before applying to the full area. Any spills should be cleaned immediately in line with the product data sheets and the company's own safety procedures.

◆ General Routine Maintenance

The integrity of all fixings should be checked on a regular basis to ensure that the grating remain in a firm and stable position. The gritted surfaces and GRP substrate should also be checked regularly, the frequency would depend on the nature and volume of footfall. As a guide, for high traffic areas a monthly inspection would be advisable.

◆ Life expectancy

Our GRP Grating have a design life of 10+ years, however, the life expectancy of any flooring product will be dictated by the nature and volume of the traffic it receives. Factors such as footwear type and material, weight of individual, pedestrian or non-pedestrian traffic, and any contamination such as dirt or grit are all factors that will influence the life term through natural wear and tear of the GRP.

Installation

◆ Handling

Safe handling practices should always be employed. GRP should also be stored face down to prevent damage.

◆ Cutting

Minor adjustments, small cut outs, can be made with a hacksaw or a jigsaw with a suitable blade. We offer a full in-house cutting service, however, should you wish to cut the grating yourself, this is easily to do by using orbital cutting equipment with either a stone or diamond blade. Cutting should be carried out externally, or where there is dust extraction, or suitable ventilation. Appropriate protective equipment should always be worn.

We're here to help

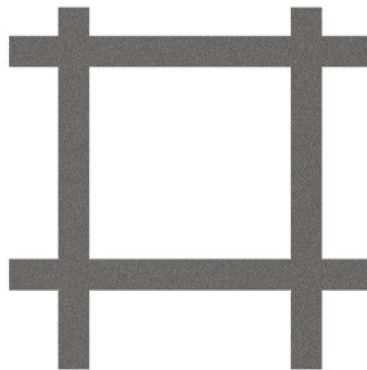
Should you have any questions about our GRP Grating, or need advice regarding care, maintenance or installation, we're only a phone call away.

GRP Open Mesh Grating

Closed Edge Sizes

32mm x 32mm internal, applicable to both 25mm and 38mm grating.

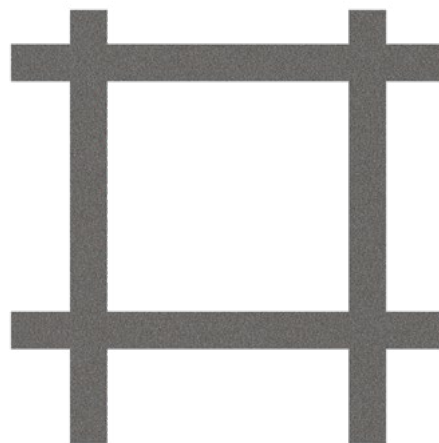
| | | | | | |
|---------|----------|----------|----------|----------|----------|
| 44.1mm | 653.7mm | 1263.3mm | 1872.9mm | 2482.5mm | 3092.1mm |
| 82.2mm | 691.8mm | 1301.4mm | 1911.0mm | 2520.6mm | 3130.2mm |
| 120.3mm | 729.9mm | 1339.5mm | 1949.1mm | 2558.7mm | 3168.3mm |
| 158.4mm | 768.0mm | 1377.6mm | 1987.2mm | 2596.8mm | 3206.4mm |
| 196.5mm | 806.1mm | 1415.7mm | 2025.3mm | 2634.9mm | 3244.5mm |
| 234.6mm | 844.2mm | 1453.8mm | 2063.4mm | 2673.0mm | 3282.6mm |
| 272.7mm | 882.3mm | 1491.9mm | 2101.5mm | 2711.1mm | 3320.7mm |
| 310.8mm | 920.4mm | 1530.0mm | 2139.6mm | 2749.2mm | 3358.8mm |
| 348.9mm | 958.5mm | 1568.1mm | 2177.7mm | 2787.3mm | 3396.9mm |
| 387.0mm | 996.6mm | 1606.2mm | 2215.8mm | 2825.4mm | 3435.0mm |
| 425.1mm | 1034.7mm | 1644.3mm | 2253.9mm | 2863.5mm | 3473.1mm |
| 463.2mm | 1072.8mm | 1682.4mm | 2292.0mm | 2901.6mm | 3511.2mm |
| 501.3mm | 1110.9mm | 1720.5mm | 2330.1mm | 2939.7mm | 3549.3mm |
| 539.4mm | 1149.0mm | 1758.6mm | 2368.2mm | 2977.8mm | 3587.4mm |
| 577.5mm | 1187.1mm | 1796.7mm | 2406.3mm | 3015.9mm | 3625.5mm |
| 615.6mm | 1225.2mm | 1834.8mm | 2444.4mm | 3054.0mm | 3663.6mm |



GRP Open Mesh Grating

42mm x 42mm internal, applicable to 50mm grating.

| | | | | | |
|-------|--------|--------|--------|--------|--------|
| 56mm | 706mm | 1356mm | 2006mm | 2656mm | 3306mm |
| 106mm | 756mm | 1406mm | 2056mm | 2706mm | 3356mm |
| 156mm | 806mm | 1456mm | 2106mm | 2756mm | 3406mm |
| 206mm | 856mm | 1506mm | 2156mm | 2806mm | 3456mm |
| 256mm | 906mm | 1556mm | 2206mm | 2856mm | 3506mm |
| 306mm | 956mm | 1606mm | 2256mm | 2906mm | 3556mm |
| 356mm | 1006mm | 1656mm | 2306mm | 2956mm | 3606mm |
| 406mm | 1056mm | 1706mm | 2356mm | 3006mm | 3656mm |
| 456mm | 1106mm | 1756mm | 2406mm | 3056mm | |
| 506mm | 1156mm | 1806mm | 2456mm | 3106mm | |
| 556mm | 1206mm | 1856mm | 2506mm | 3156mm | |
| 606mm | 1256mm | 1906mm | 2556mm | 3206mm | |
| 656mm | 1306mm | 1956mm | 2606mm | 3256mm | |



GRP Open Mesh Grating

Load Bearing Specification

Load bearing capacity and panel deflection depend on panel thickness and unsupported span.

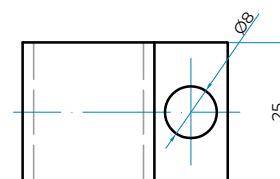
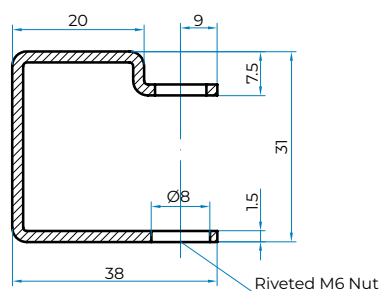
| Standard Mesh Grating - Load and Deflection (Kg/metre @ 0.5% Deflection) | | | | | | | | | |
|--|----------------------|-----------|---------|---------|---------|--------|--------|--------|--------|
| Panel Thickness (mm) | Span Type of Loading | 250mm | 500mm | 600mm | 750mm | 1000mm | 1200mm | 1500mm | 2000mm |
| 25 | Point Load | 1,792.5kg | 232kg | 161kg | 103kg | 58kg | 40kg | 25.5kg | 14.5kg |
| | UDL | 1,375.5kg | 688kg | 425kg | 435kg | 92kg | 53kg | 27kg | 11.5kg |
| 38 | Point Load | 1,907kg | 849kg | 590kg | 378kg | 212kg | 147kg | 94kg | 53kg |
| | UDL | 3,815kg | 1,907kg | 1,590kg | 917kg | 387kg | 224kg | 115kg | 48.5kg |
| 50 | Point Load | 2,966kg | 1,483kg | 1,207kg | 773kg | 434kg | 302kg | 193kg | 109kg |
| | UDL | 5,933kg | 2,967kg | 2,472kg | 1,877kg | 792kg | 458kg | 235kg | 99kg |

| Standard Mesh Grating - Load and Deflection (Kg/metre @ 1% Deflection) | | | | | | | | | |
|--|----------------------|----------|---------|---------|---------|---------|--------|--------|--------|
| Panel Thickness (mm) | Span Type of Loading | 250mm | 500mm | 600mm | 750mm | 1000mm | 1200mm | 1500mm | 2000mm |
| 25 | Point Load | 1,585kg | 464kg | 322kg | 206kg | 116kg | 80kg | 51kg | 29kg |
| | UDL | 2,751kg | 1,375kg | 850kg | 435kg | 184kg | 106kg | 54kg | 23kg |
| 38 | Point Load | 3,814kg | 1,698kg | 1,179kg | 755kg | 424kg | 294kg | 188kg | 106kg |
| | UDL | 7,629kg | 3,814kg | 3,179kg | 1,834kg | 774kg | 448kg | 229kg | 97kg |
| 50 | Point Load | 5,933kg | 2,967kg | 2,414kg | 1,545kg | 868kg | 603kg | 386kg | 217kg |
| | UDL | 11,866kg | 5,933kg | 4,944kg | 3,754kg | 1,584kg | 916kg | 469kg | 198kg |

GRP Grating Accessories

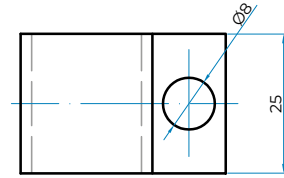
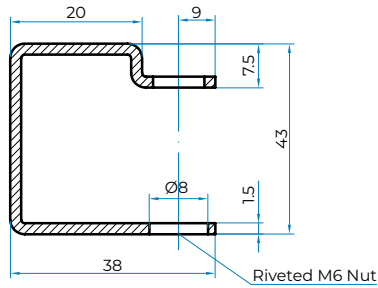
GRP grating clips and clamps complement our range of GRP grating and provide best-practice fixing methods for fastening and joining grating panels.

C Clip - 25mm

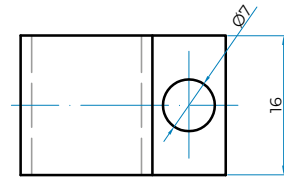
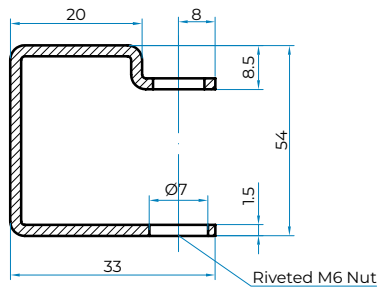


GRP Open Mesh Grating

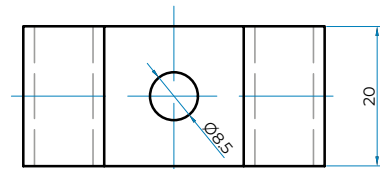
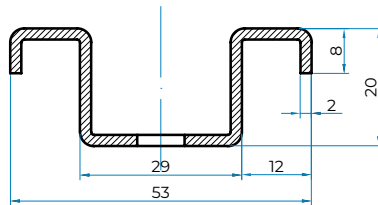
C Clip - 38mm



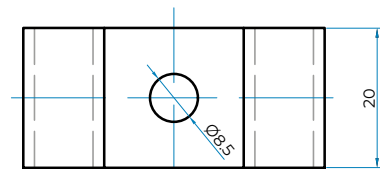
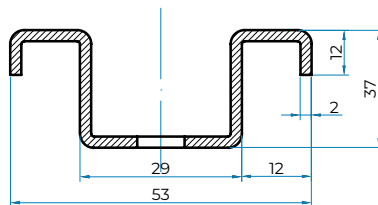
C Clip - 50mm



M Clip - 25mm



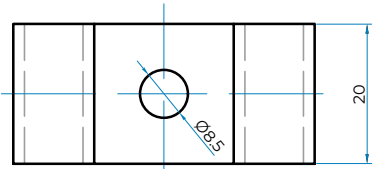
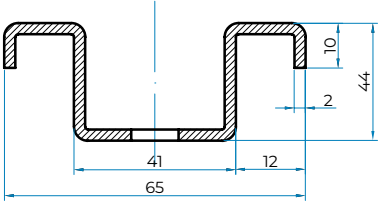
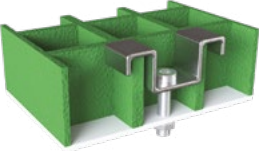
M Clip - 38mm



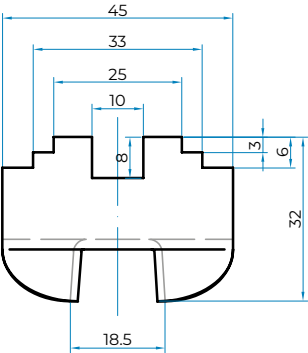
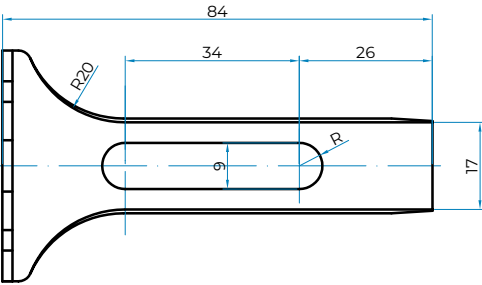
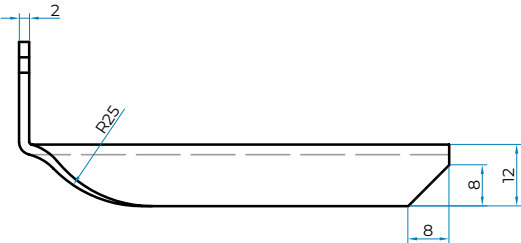


GRP Open Mesh Grating

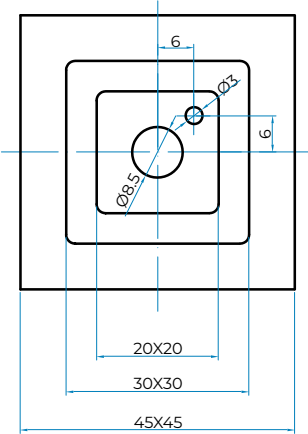
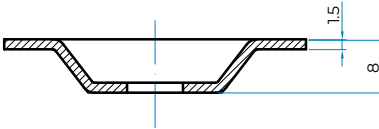
M Clip - 50mm



J Clamp



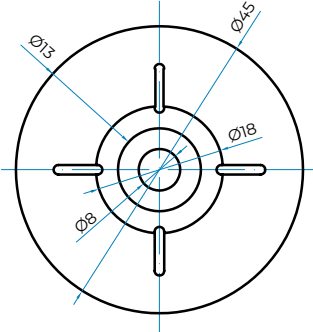
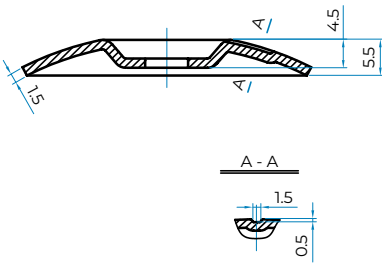
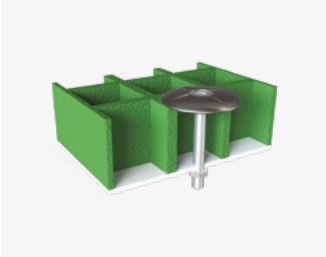
Square Fixing Clip 45mm





GRP Open Mesh Grating

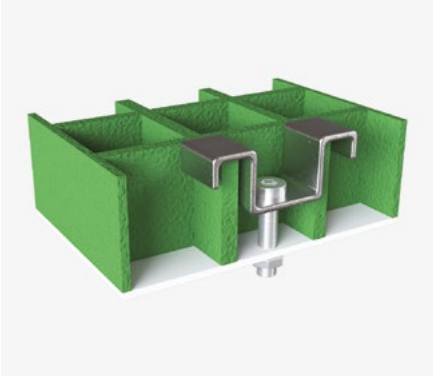
Fixing Disc 45mm



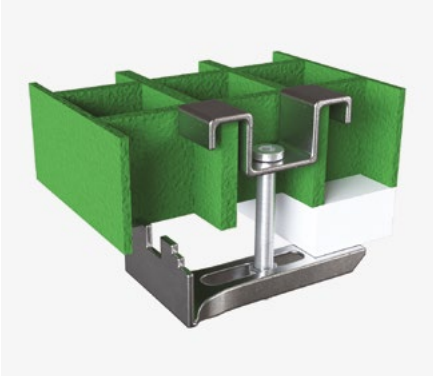
Installation Diagrams



C Clip



M Clip



J Clamp



Square Fixing Clip



Fixing Disc

GRP Open Mesh Grating

GRP Chemical Resistance Chart

| Environment | %Conc. | Max.Oper. Temp.F/C. | Environment | %Conc. | Max.Oper. Temp.F/C. |
|----------------------|--------|---------------------|----------------------|--------|---------------------|
| Acetic Acid | 50 | 125/52 | Lithium Chloride | SAT | 150/66 |
| Aluminum Hydroxide | 100 | 160/71 | Magnesium Chloride | ALL | 170/77 |
| Ammonium Chloride | ALL | 170/77 | Magnesium Nitrate | ALL | 140/60 |
| Ammonium Bicarbonate | 15 | 125/52 | Magnesium Sulphate | ALL | 170/77 |
| Ammonium Hydroxide | 28 | N/R | Mercuric Chloride | 100 | 150/66 |
| Ammonium Sulphate | ALL | 170/77 | Mercurous Chloride | ALL | 140/60 |
| Benzene | ALL | N/R | Nickel Chloride | ALL | 170/77 |
| Benzoic Acid | SAT | 150/66 | Nickel Sulphate | ALL | 170/77 |
| Borax | SAT | 170/77 | Nitric Acid | 20 | 70/21 |
| Calcium Carbonate | ALL | 170/77 | Oxalic Acid | ALL | 75/24 |
| Calcium Nitrate | ALL | 180/82 | Perchloric Acid | 10 | N/R |
| Carbon Tetrachloride | 100 | N/R | Phosphoric Acid | 100 | 120/49 |
| Chlorine Dry Gas | - | 140/60 | Potassium Chloride | ALL | 170/77 |
| Chlorine Water | SAT | 80/27 | Potassium Dichromate | ALL | 170/77 |
| Chromic Acid | 5 | 70/21 | Potassium Sulphate | ALL | 170/77 |
| Citric Acid | ALL | 170/77 | Propylene Glycol | ALL | 170/77 |
| Copper Chloride | ALL | 170/77 | Sodium Acetate | ALL | 160/71 |
| Copper Cyanide | ALL | 170/77 | Sodium Bisulphate | ALL | 170/77 |
| Copper Nitrate | ALL | 170/77 | Sodium Bromide | ALL | 170/77 |
| Ethanol | 50 | 75/24 | Sodium Cyanide | ALL | 170/77 |
| Ethylene Glycol | 100 | 90/32 | Sodium Hydroxide | N/R | N/R |
| Ferrous Chloride | ALL | 170/77 | Sodium Nitrate | ALL | 170/77 |
| Formaldehyde | 50 | 75/24 | Sodium Sulphate | ALL | 170/77 |
| Glucose | 100 | 170/77 | Stannic Chloride | ALL | 160/71 |
| Gasoline | 100 | 80/27 | Sulfuric Acid | 25 | 75/24 |
| Glycerine | 100 | 150/66 | Tartaric Acid | ALL | 170/77 |
| Hydrobromic Acid | 50 | 120/49 | Vinegar | 100 | 170/77 |
| Hydrochloric Acid | 37 | 75/24 | Water Distilled | 100 | 170/77 |
| Hydrogen Peroxide | 5 | 100/38 | Zinc Nitrate | ALL | 170/77 |
| Lactic Acid | ALL | 170/77 | Zinc Sulphate | ALL | 170/77 |