



# flambank™

Product code: FBC8

- » Secure hazardous vault for storing hazardous goods safely.
- » Fully welded sump helps contain any leakages.
- » Ventilation allows airflow and helps prevent the build-up of fumes.



## Product features



2x 5-lever deadlock



Gas strut (1200N)



Forklift skids



COSHH compliant



Sump capacity  
250L



Fire resistant



Lid safety stay

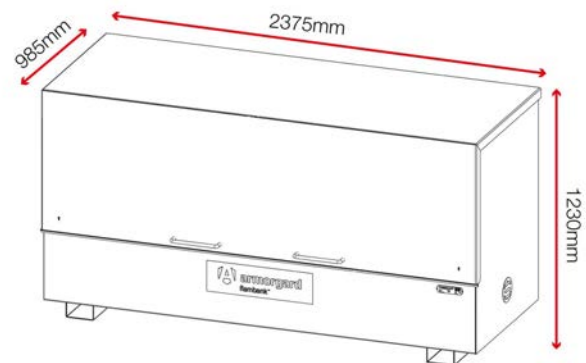


Safety signage

## Product specifications

Weight	334kg
Colour	Traffic red: RAL 3020
Suitable for	Outdoor storage of flammables or chemicals
Finished coating	Powder coated
Material & thickness	2mm and 3mm steel
Quantity of keys	3 keys
How are castors fitted?	Not applicable
Other sizes available	6 other sizes
Ventilation	Yes
Qty of shelves as standard	2 shelves

## Dimensions - External dimensions includes protrusions



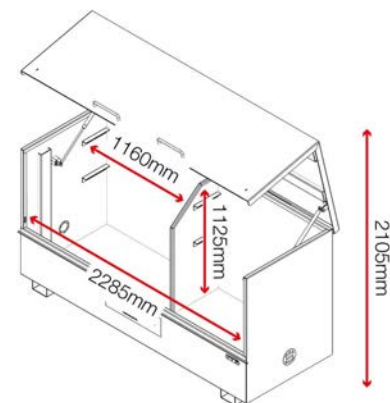
## Optional extras - Contact Armorgard to find out more



Castor kit CAS160-KS-FX-SB-CP



Additional shelf SHE-CH4



Disclaimer: all dimensions and weights are approximate